

SWIT®

S-3812A/S

Lithium Battery Fast Charger and Adaptor

Ver:A.2

USER MANUAL

SWIT Electronics Co., LTD.

Tel:+86-25-85805753
Fax:+86-25-85805296
http://www.swit.cc
E-mail: contact@swit.cc

Congratulations on your purchase of this product. Please read this user manual carefully.

Warning

- ◆ Never expose the battery charger to rain or moisture.
- ◆ Never attempt to open the battery charger, please contact the local agent if have problems.
- ◆ Never use metal or other conductors to touch the inside of the battery charger.
- ◆ Never short-circuit the battery charger terminals.
- ◆ Please make sure the voltage range is fit for the battery charger.
- ◆ Please use the power adapter provided by the manufacturer in order to avoid damage.
- ◆ Never use the battery charger if it is already damaged.

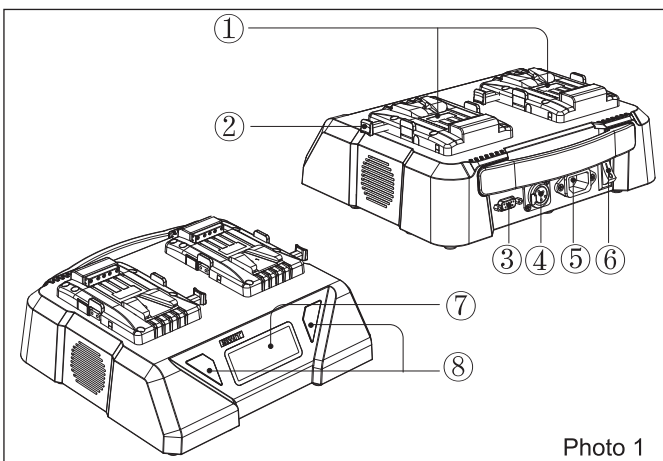
Caution

- ◆ Only limited to charge specified battery(ies), it may cause danger if charge other battery(ies) due to incompatibility problem.
- ◆ Only work in the temperature between 0℃-40℃
- ◆ Keep the terminals clean and ensure the reliable connection.
- ◆ It is normal phenomenon that the battery charger may become warm in use.
- ◆ Please unplug the power lead if the battery charger is not used for a long time.
- ◆ Do not cover the cooling vent.
- ◆ Please do not put the battery charger in unstable place, it may fall and cause serious damage.
- ◆ Store the battery charger in cool, dry and clean place.

Features

1. 2-channel independent charging and controlling system, capable of 6A fast charge two batteries simultaneously.
2. AC-DC adaptor output via 4-pin XLR, maximum power output reaches 200W.
3. Support mounting battery(ies) and output DC via 4-pin XLR when there is no AC input.
4. LED lights indicate the real-time working status.
5. Large LCD screen indicates the batteries status of both channels and adapting output status.
6. Support data exchange with digital battery, and also for maintenance and repair.
7. Support connecting to SWIT intelligent charging management system and realize the remote charging management.

Product appearance



- ① Charging channel (V-mount / Gold mount)
- ② Battery release button
- ③ RS485 interface
- ④ 4-PIN XLR socket
- ⑤ Power input socket
- ⑥ Power switch
- ⑦ LCD screen
- ⑧ LED lights

Specifications:

Input	100~240VA,50/60Hz
Power	260W(Max)
Charging Output	DC 16.8V, 6A(Max)×2
Adapting Output	DC 16.8V, 12A(Max)
Working Temperature	0℃~+40℃
Working Humidity	10%~90%
Dimension	272mm×246mm×92mm(S-3812A) 272mm×246mm×97mm(S-3812S)
Weight	Appx 1.85kg

Applicable battery

S-3812A: SWIT Gold mount batteries

S-3812S: SWIT/SONY V-mount batteries

Charging

1. Connect with power lead, switch on the charger, and the LCD screen will turn on (Photo 2).
2. Mount battery(ies) onto the charging channel(s), and it starts to charge the mounted battery(ies) simultaneously. The LED light(s) of the related charging channel(s) will start to flash in red, and the LCD screen will display the battery(ies) status(Photo 3).
3. The battery which supports fast charging will be automatically identified and charge with 6A, SWIT S-8340/8360/8440/8113/8180/8183/D-8161 will be charged with 6A. Other battery which does not support fast charging will be charged with 3A.
4. When fully charged, the LED light of the related charging channel(s) will be in Green. Press battery release button and take out the battery(ies).
5. Remote: Connect to SWIT Intelligent charging management system through RS485 interface which is in the back of the charger, it can realize remote charging management functions.

Remark: Only the specified batteries can be charged. Charging other batteries may lead to danger due to incompatible reasons.

Adapting output

The S-3812A/S offers one channel 4-pin XLR adapting output. (Pin 1: Negative, Pin 4: Positive)

AC-DC adapting output:

1. Connect with power lead, switch on the charger, and the LCD screen will turn on (Photo 2).
2. Connect the adapting output to power consuming equipment; the LCD screen will display the current adapting output Power and Current. The maximum output is 16.8V/200W.
3. If adapting output power is over 100W, then both charging channels will stop work and remain waiting status (Photo 5).
If adapting output power is less than 100W, it will give adapting output; at the same time it will give priority to charge the first inserted battery, the other channel will remain waiting status until the first inserted battery is fully charged, and then start to charge (Photo 4).

Mounting battery(ies) to adapting output:

1. When there is no AC input, mounting battery(ies) can have adapting output through XLR socket. The related charging channel(s) will be in green flash status and the LCD screen will display the related battery(ies) status.
2. When mounted with one battery, then this channel will have adapting output. When both channels are mounted with batteries, then it will give priority to discharge the higher voltage battery, the other battery will be in waiting status (Photo 7). Until the voltage of the two batteries is approximately the same, then both batteries will output (Photo 8).

LCD screen display

1#Charging 80 % 15.7 V	2#Charging 14.6 V 3.0 A
XLR# No Load	

The description of LED light

Off: No battery mounted or battery in waiting status.
Red slow flash: charging
Red quick flash: battery is about to be fully charged
Green: fully charged
Green flash: battery is adapting output
Orange flash: alert, battery or charging channel is abnormal.

1. The LCD screen will display the charger and battery working status.
2. In the photo above, there are three areas of information: battery status of Charging channel 1, battery status of Charging channel 2 and the XLR status.
3. The charger can exchange date with digital battery and display information such as: Voltage, current, remaining capacity .etc every 3 seconds on the LCD screen (above photo 1#). If it is not digital battery, the LCD screen will display the charging and discharging voltage and current (above photo 2#).
4. **Common status of LCD screen display:**

LCD status	Description	LCD status	Description								
<table border="1"> <tr> <td>1#No Bat</td> <td>2#No Bat</td> </tr> <tr> <td colspan="2">XLR# No Load</td> </tr> </table> Photo 2	1#No Bat	2#No Bat	XLR# No Load		Channel 1: No battery mounted Channel 2: No battery mounted XLR output: No load	<table border="1"> <tr> <td>1#Charging 14.6 V 3.0 A</td> <td>2#Charging 80 % 6.0 A</td> </tr> <tr> <td colspan="2">XLR# No Load</td> </tr> </table> Photo 3	1#Charging 14.6 V 3.0 A	2#Charging 80 % 6.0 A	XLR# No Load		Channel 1: Charging Channel 2: Charging XLR output: No load
1#No Bat	2#No Bat										
XLR# No Load											
1#Charging 14.6 V 3.0 A	2#Charging 80 % 6.0 A										
XLR# No Load											
<table border="1"> <tr> <td>1#Charging 80 % 15.7 V</td> <td>2#Waiting 80 % 16.0 V</td> </tr> <tr> <td colspan="2">XLR# 80 W/ 4.7 A</td> </tr> </table> Photo 4	1#Charging 80 % 15.7 V	2#Waiting 80 % 16.0 V	XLR# 80 W/ 4.7 A		Channel 1: Charging Channel 2: Waiting XLR output: 80W/4.7A	<table border="1"> <tr> <td>1#Waiting 80 % 0.0 A</td> <td>2#Waiting 80 % 0.0 A</td> </tr> <tr> <td colspan="2">XLR# 200 W/ 12 A</td> </tr> </table> Photo 5	1#Waiting 80 % 0.0 A	2#Waiting 80 % 0.0 A	XLR# 200 W/ 12 A		Channel 1: Waiting Channel 2: Waiting XLR output: 200W/12A
1#Charging 80 % 15.7 V	2#Waiting 80 % 16.0 V										
XLR# 80 W/ 4.7 A											
1#Waiting 80 % 0.0 A	2#Waiting 80 % 0.0 A										
XLR# 200 W/ 12 A											
<table border="1"> <tr> <td>1#Dischar. 80 % 4.7 A</td> <td>2#Waiting 60 % 0.0 A</td> </tr> <tr> <td colspan="2">XLR# 70 W/ 4.7 A</td> </tr> </table> Photo 6	1#Dischar. 80 % 4.7 A	2#Waiting 60 % 0.0 A	XLR# 70 W/ 4.7 A		Channel 1: Discharging Channel 2: Waiting XLR output: 70W/4.7A	<table border="1"> <tr> <td>1#Dischar. 80 % 5.3 A</td> <td>2#Dischar. 90 % 6.7 A</td> </tr> <tr> <td colspan="2">XLR# 200 W/ 12 A</td> </tr> </table> Photo 7	1#Dischar. 80 % 5.3 A	2#Dischar. 90 % 6.7 A	XLR# 200 W/ 12 A		Channel 1: Discharging Channel 2: Discharging XLR output: 200W/12A
1#Dischar. 80 % 4.7 A	2#Waiting 60 % 0.0 A										
XLR# 70 W/ 4.7 A											
1#Dischar. 80 % 5.3 A	2#Dischar. 90 % 6.7 A										
XLR# 200 W/ 12 A											