

SWIT®

LC-D421

4-ch Intelligent DV battery charger

Ver: A

USER MANUAL

SWIT Electronics Co.,Ltd.

Tel:+86-25-85805753
Fax:+86-25-85805296
http://www.swit.cc
E-mail: contact@swit.cc

Congratulations on your purchase of this product. Please read this user manual carefully.

Warning

Keep the following precautions in mind to avoid fire or electric shock hazard!

- ◆ Never expose the battery charger to rain or moisture.
- ◆ Never attempt to open the battery charger. Please contact the local agent if have problems.
- ◆ Never use metal or other conductors to touch the inside of the battery charger.
- ◆ Never short-circuit the battery charger terminals.
- ◆ Please make sure the voltage range is fit for the battery charger.

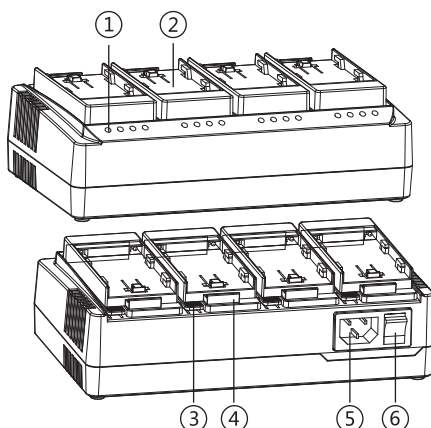
Caution

- ◆ Only limited to charge specified battery(ies), it may cause danger if charge other battery(ies) due to incompatibility problem.
- ◆ Keep the terminals clean and ensure the reliable connection.
- ◆ It is normal phenomenon that the battery charger may become warm in use.
- ◆ Do not cover the cooling vent.
- ◆ Please do not put the battery charger in unstable place, it may fall and cause serious damage.
- ◆ Please use the supplied AC power cord to avoid damaging the equipment.
- ◆ The socket-outlet shall be installed near the equipment and shall be easily accessible.

Features

- ◆ Intelligent identification charging 16.8V and 8.4V batteries
- ◆ 4-channel independent charging and controlling system, capable of charging four batteries simultaneously.
- ◆ Four-level LED display battery capacity range
- ◆ Mixed installation of different DV battery plates (Must use with SWIT KA-C10 series battery plates).

Product appearance



- ① LED indicator
- ② DV battery plate (F/D/C/B/V/I/E/U)
- ③ Battery plate release button
- ④ Battery release button
- ⑤ Power input socket
- ⑥ Power On/Off

Specifications

Model	LC-D421
Input Voltage	100~240VAC, 50/60Hz
Max input power	100W
Charging output	16.8V/2A×3 or 16.8V/1.5A×4 or 8.4V/1A×4 or 8.4V/2A×4
Dimension	220×125×69.3mm
Weight	706g
Working Humidity	10% ~ 90%
Working Temperature	0°C ~ +40°C

The Description of LED indicator

● : On ✨ : Flash ○ : Off

●○○○	Ready mode
✨○○○	< 25%
●✨○○	25%~50%
●●✨○	50%~75%
●●●✨	75%~100%
●●●●	Fully charged
○○○○○ or ✨✨✨✨	Charging abnormal. Pls make sure the reliable connection of the battery and the charger or pls power off and restart.

Compatible battery plate/ battery

Battery plate	Compatible battery	Charging output
KA-C10F	S-8972, S-8970, S-8770, SONY NP-F970/770	8.4V/2A
KA-C10D	S-8D98, S-8D58, S-8D62, Panasonic VW-VBD58, AG-VBR59, CGA-D54S	8.4V/2A
KA-C10C	S-8845, S-8945, Canon BP-945/970G/955	8.4V/2A
KA-C10B	S-8BG6, Panasonic VW-VBG6	8.4V/2A
KA-C10V	S-8823, JVC BN-VF823	8.4V/2A
KA-C10i	S-8i75, S-8i50, SSL-JVC50/75	8.4V/2A
KA-C10E	S-8PE6, Canon LP-E6	8.4V/1A
KA-C10U	S-8U93, S-8U63, S-8U65, S-8U95, SONY BP-U30/U60/U90	16.8V/2A

Note: The total output power of the charger is 100W. When the required power is greater than 100W, the charger automatically adjusts the charging current to limit the total output power to 100W.

Charging

- ◆ Connect the charger with power cord reliably, and then power the charger.
- ◆ During charging, the indicator will display the battery power range in real time (25%, 50%, 75% and 100%).

Note: Only limited to charge specified battery(ies), it may cause danger if charge other battery(ies) due to incompatibility problem.