

SWIT®

S-2430C/S-2440C SMD

Panel LED Light

Ver: B

USER MANUAL

SWIT Electronics Co.,LTD.

Tel:+86-25-85805753
Fax:+86-25-85805296
http://www.swit.cc
E-mail: contact@swit.cc

Congratulations on your purchase of this product. Please read this user manual carefully.

Feature

1. Adopt ultra-bright Surface Mounted LEDs with accurate color temperature and 50,000hrs long life time;
2. 3200K-5600K continuously adjustable color temperature;
3. 10% to 100% PWM digital integrated dimming, and the process is smooth, stable and no flash;
4. DMX512 dimmer and color temperature control;
5. Wider beam angle and soft spread light;
6. Barn doors can be adjusted according to request of shooting sculpting, convenient and flexible;
7. Powered by AC-DC adaptor or V-mount battery;
8. LCD displays current color temperature, dimmer percentage and DMX address;

Specifications

Model	S-2430C	S-2440C
LED	1152PCS of ultra-bright SMD LEDs	576PCS of ultra-bright SMD LEDs
Luminance	Appr. 2500 Lux@1m	Appr. 1250Lux@1m
Beam angle	appr.70°	
Color temperature	3200K±200K ~ 5600K±300K	
CRI	≥93	
TLCI	≥97	
Power	100W	50w
Working voltage	DC 12V ~ 17V	
Dimension	630×440×83mm	395×375×83mm
Lighting area	477×237mm	237×237mm
Weight	Appr. 5.8Kg	Appr. 4.1Kg

Caution

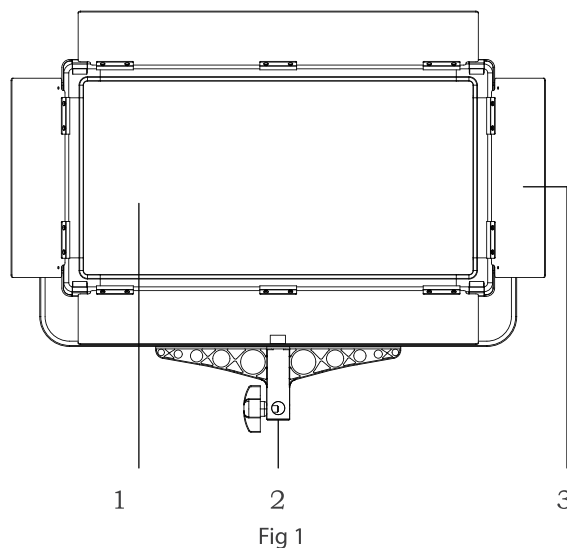
1. Please DO NOT disassemble the light.
2. Please DO use the safety ropes when hanging the light.
3. Only use the provided adapter to avoid damage.
4. Only use the light in the temperature range of -10°C~40°C.

Clean

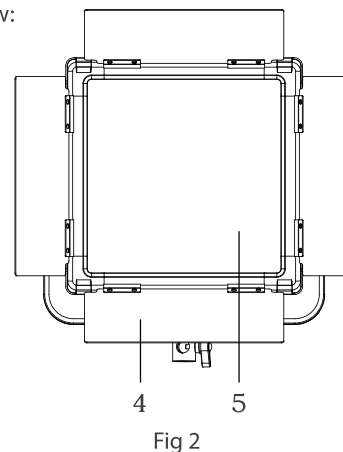
1. Please clean the front LED panel with soft dry cloth. If using soft cloth with slight clean neutral detergent solution, please wipe again with a soft dry cloth.
2. Do not use wet cloth, anhydrous alcohol, gasoline, or a mixture of anhydrous alcohol and ether etc. to wipe the front LED panel, to avoid damage.

Appearance

S-2430C Front View:



S-2440C Front View:



- 1 Diffuser 4 Barn door
2 Spigot 5 Diffuser
3 Barn door

S-2430C Rear view:

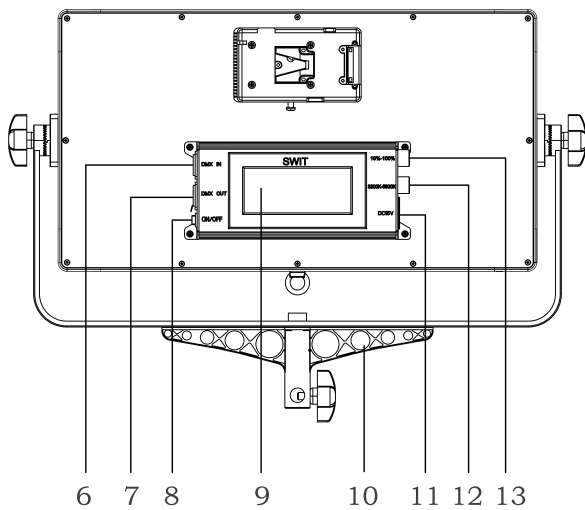


Fig 3

S-2440C Rear view:

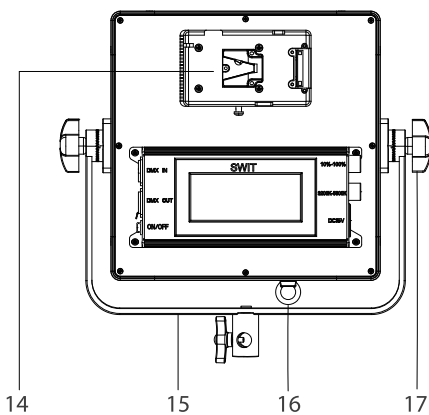


Fig 4

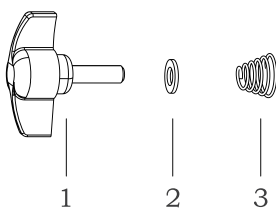
- | | |
|------------------------|---------------------------|
| 7 DMX output socket | 12 Color temperature knob |
| 8 Power switcher | 13 Dimmer knob |
| 9 LCD screen | 14 Battery plate |
| 10 & 15 U shape holder | 16 Safety Ring |
| 11 DC-IN socket | 17 U shape holder screw |

LCD display and adjust range

The color temperature adjusting range is 3200K-5600K, the brightness adjusting range is 10%-100% (when using DMX, the brightness adjusting range is 0%-100%), and DMX address can be set from 1-512:

- When there is no DMX input signal, the LCD screen displays the color temperature, brightness and the current DMX address value.
- When there is DMX input signal, the LCD screen displays the current DMX address value.

Assemble U-shape Bracket



- U-shape holder screw
- Shim
- Spring

Fig 5

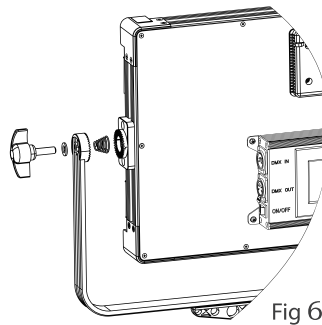


Fig 6

Please install the U-shape holder screw, shim and spring into the light by the order of Fig 6. When hanging the light, you can change the position of safety ring to the top side for the safety rope.

Usage

- Install the U-shape bracket on the light, adjust the lighting angle and fasten the U-shape holder screw.
- Install the barn doors according to the requirements.
- Attach V-mount battery or connect with AC-DC power adaptor, switch on the light and adjust brightness and color temperature to work.
- The brightness and color temperature can be adjusted by:
 - Knobs on the rear panel of the light;
 - DMX512 controlling
 - DMX address setting
The DMX address is from 1 to 512. Press the "↑" or "↓" on the rear touch screen to set the DMX address
 - DMX assign and control
1 light occupies 2 DMX control channels. The current set DMX address (N) is assigned to Brightness controlling; and the next DMX address (N+1) is assigned to Color temperature controlling.

For example:

DMX set	DMX address	Function
005	005	Brightness adjustment from 0%-100%
	006	Color temperature adjustment from 3200K-5600K

Packing List

	Packing details	S-2430C/S-2440C Engineering /Standard package	S-2430C Luxury package
1	S-2430C/S-2440C	x 1	x 1
2	power adaptor	x 1	x 1
3	Power cable	x 1	x 1
4	Barn door	x 1	x 1
5	U-shape bracket	x 1	/ (Installed)
6	DMX cable	x 1	x 1
7	Ring	x 1	x 1
8	Spring	x 2	/ (Installed)
9	Spacer	x 1	/ (Installed)
10	Knob on both sides of U-shape bracket	x 2	/ (Installed)
11	Safety rope	x 1	x 1
12	Carrying case	/	x 1
13	Hangtag	/	x 1
14	Hangtag cover	/	x 1
15	Warranty card	x 1	x 1
16	User manual	x 1	x 1

Note: The accessories of engineering/standard package need to be self-assembled.