

# SWIT®

## S-2120DA / S-2120DS

### LED Panel Lights

Ver:A

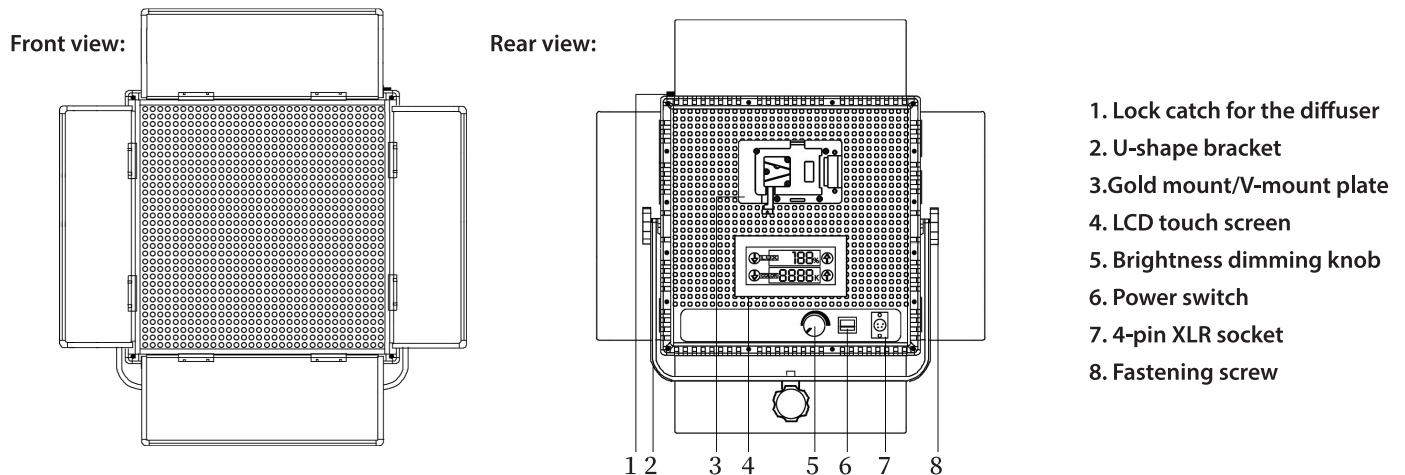
# USER MANUAL

## SWIT Electronics Co.,Ltd.

Tel: +86-25-85805753  
Fax: +86-25-85805296  
http://www.swit.cc  
E-mail: contact@swit.cc

Thank you for choosing SWIT products. Please read the instructions before using, and keep it for future reference

## Front and rear view



## Characteristics

- ◆ 1024pcs of ultra bright LEDs, 50,000hrs long lifetime
- ◆ Max luminance: 5100Lux at 1m distance; 10%-100% flick-free dimming
- ◆ 5600K daylight output, 3200K output with filter
- ◆ LCD touch screen, display and adjust brightness dimming
- ◆ Power with V-lock battery (S-2120DS)/Gold mount battery (S-2120DA), or AC-DC adapter
- ◆ Heat-free technology and constant current circuit design ensure consistent, stable, and accurate light output in various environments
- ◆ Designed for professional videography and photography

## Operation instructions

1. Open the barn door, set up the U-shape bracket on the light stand or bracket, and then fasten it. Loosen the knobs on both sides of the U-shape bracket, and then fix the knobs after adjusting the lighting angle.
2. Power the light with the AC power adapter or corresponding battery, turn it on and then the light works.
3. The upper side of the LCD shows brightness. Press "↑", "↓" or rotate brightness dimming knob to adjust the brightness from 10%-100%.
4. The bottom side of the LCD shows color temperature: 5600K.
5. The diffuser/filter can be removed from the groove in front of the LED by pressing button 1.

## Specifications

MODEL	S-2120DA	S-2120DS
LED	1024pcs of ultra bright LEDs	
Luminance	5100Lux/m	
Beam angle	60°	
Color temperature	5600K or 3200K with filter	
Power	≤70W	
Working voltage	DC 11-17V, 4-pin XLR socket	
External power	Gold mount plate	V-mount plate
Dimension	403(W)×450(H)×95(D)mm	
Weight	2.7kg	

## Cautions

1. Never disassemble the light or touch its inside with metal objects to avoid damage.
2. Never solder the LED bulbs by non-professionals
3. Never block the louvers, otherwise LED lighting effect and lifetime will be greatly reduced
4. Only use the provided adapter to avoid damage.
5. Never crash the LED touch screen with great force to avoid damage.
6. Only use the light in the temperature range of -10°C~40°C.

## Packing List

	Packing details	Quantity
1	S-2120DA/S-2120DS	x 1
2	Diffuser	x 1
3	3200K filter	x 1
4	U-shape bracket	x 1
5	Power adapter	x 1
6	Power cable	x 1