

产品使用说明

南京奥视威电子科技有限公司

电话: 025-85805295
 传真: 025-85805296
 http://www.swit.cc
 E-mail: xsb@swit.cc

感谢您选择本公司产品, 请在使用产品前阅读使用说明书, 并妥善保存以备将来参考。

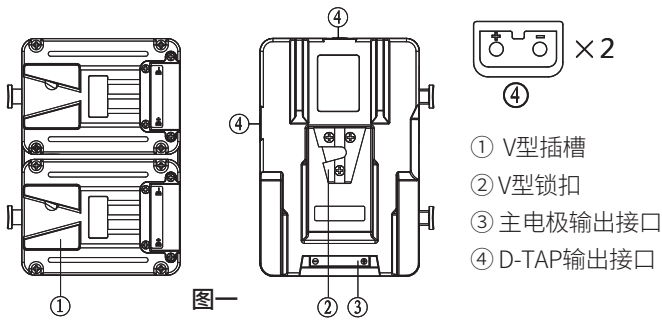
警告

- ◆ 只能使用SWIT口袋系列电池。
- ◆ 请确认用电设备的功率, 满足规格要求。
- ◆ 保持电极清洁, 切勿让电极之间发生短路。

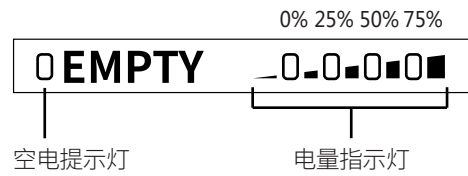
产品特点

- ◆ 智能识别负载功率, 自动调节双电池同时供电或顺序供电。
- ◆ 支持热切换功能, 可实现不间断供电。
- ◆ 支持电池实时电量指示及电池空电提醒。
- ◆ 支持 SONY /RED 摄像机数字电量显示。
- ◆ 双D-TAP输出插孔, 可以同时给摄像机及多台其它设备供电。
- ◆ 超薄外观设计, 轻巧方便携带。

外观说明



图一



图二

功能描述

总负载功率 ≤ 任一电池最大输出功率	自动开启双电池顺序供电模式。
	智能识别双电池剩余电量, 低电量电池优先供电, 低电量电池电量低于6%时自动切换到高电量电池供电; 可避免摄像机因电池电量低于5%报警。
	双电池电量均低于6%时双电池同时供电至电池放空。
	支持热切换, 用户可随时更换任一电池。
总负载功率 > 任一电池最大输出功率	自动开启双电池同时供电模式。
	支持不同电量电池同时供电。

LED显示

双路电池分别对应一组LED指示灯;
 扣板空载插入电池时, 电量指示灯闪烁一下提示当前电池电量后熄灭;
 电量指示灯状态如下:

	使用中指示灯状态	搁置时指示灯状态
电量百分比	— 0-0-0-0-0 ■ EMPTY	— 0-0-0-0-0 ■ EMPTY
75%~100%	●●●● ✨ ○	●●●● ○
50%~75%	●● ✨ ○ ○	●●●○ ○
25%~50%	● ✨ ○ ○ ○	●●○○ ○
6%~25%	✨ ○ ○ ○ ○	●○○○ ○
<6%	○○○○ ✨	○○○○ ✨

产品规格

型号				KA-M20S
输入	输入接口			V字型×2 (适用于SWIT口袋系列电池)
	输出接口			V字型×1 (适用于各种V型接口供电设备)
	额定输出电压			D-TAP ×2
	14.4V			
输出	最大输出功率	顺序供电模式	主电极	同单个电池最大输出功率 (同型号电池) 同小功率电池最大输出功率 (不同型号电池)
			D-TAP	同主电极或150W/10A(两者取较小值)
	同时供电模式	主电极	同单个电池最大输出功率×2 (同型号电池同电量) 同小功率电池最大输出功率×2 (不同型号电池同电量)	
		D-TAP	同主电极或150W/10A(两者取较小值)	
工作温度				-20°C~50°C
尺寸				148x108x28mm
净重				238g

SWIT®

KA-M20S

Dual Batteries Hot Swap Plate
Ver:A

USER MANUAL

SWIT Electronics Co.,Ltd.

Tel:+86-25-85805753
Fax:+86-25-85805296
http://www.swit.cc
E-mail: contact@swit.cc

Congratulations on your purchase of this product. Please read this user manual carefully.

Warning

- ◆ Only SWIT pocket batteries can be used.
- ◆ Make sure the power-consuming equipment(s) meet the battery specifications.
- ◆ Keep the terminals clean and never short-circuit the plate terminals.

Features

- ◆ Intelligent identification of load power, automatically adjusting the dual batteries to supply power simultaneously or sequentially.
- ◆ Support hot swap function, realizing continuous power supply.
- ◆ Support battery real-time power indicating and battery empty power reminding.
- ◆ Support SONY/RED camera remaining time display.
- ◆ Dual D-TAP output socket, powering the camera and other devices simultaneously.
- ◆ Ultra-thin design, light and portable.

Description of appearance

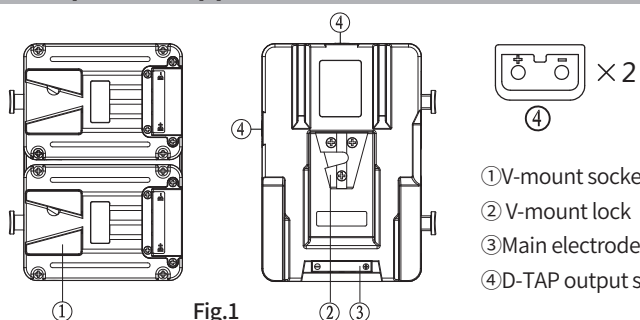


Fig.1

- ① V-mount socket
- ② V-mount lock
- ③ Main electrode output interface
- ④ D-TAP output socket

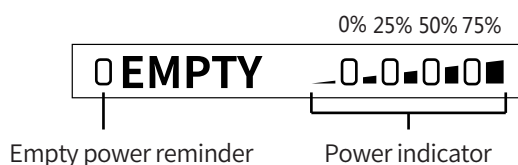


Fig.2

Description of function

Total power of the device ≤ maximum output power of any battery	Automatically switch to dual batteries sequential power supply mode.
	Intelligently identify the two batteries' power. The lower battery supplies power first, and it will automatically switch to the other battery when its capacity is lower than 6%, which can avoid the cameras alarming when the battery power is below 5%.
Total power of the device > maximum output power of any battery	When both batteries are below 6%, they will power simultaneously until the batteries are empty.
	Support hot swap. The user can replace any battery at any time.
Total power of the device > maximum output power of any battery	Automatically switch to dual batteries simultaneous power supply mode.
	Support different power batteries to supply power simultaneously.

LED display

Both batteries correspond to a group of LED indicators respectively. When the plate with no load is mounted on the battery, the indicator flashes to indicate the current battery power and then off; The status of the indicators is as follows:

	Indicator status in use	Indicator status when idle
Capacity percentage	— 0 — 0 — 0 — 0 ■ EMPTY	— 0 — 0 — 0 — 0 ■ EMPTY
75%~100%	● ● ● ● ✱ ○	● ● ● ● ○ ○
50%~75%	● ● ✱ ○ ○	● ● ● ○ ○
25%~50%	● ✱ ○ ○ ○	● ● ○ ○ ○
6%~25%	✱ ○ ○ ○ ○	● ○ ○ ○ ○
<6%	○ ○ ○ ○ ✱	○ ○ ○ ○ ✱

Specification

Model		KA-M20S	
Input and output	Input socket	V-mount × 2 (suitable for SWIT pocket batteries)	
	Output socket	V-mount × 1 (suitable for kinds of V-mount socket equipments)	
	Nominal output voltage	D-TAP × 2 14.4V	
	Maximum output power	Sequential power supply mode	Main electrode
D-TAP			Same as main electrode or 150W/10A (take the smaller value)
Simultaneous power supply mode		Main electrode	Same as single battery maximum output power * 2 (same model batteries with same remaining power) Same as the smaller maximum output power of the two batteries * 2 (different model batteries with same remaining power)
	D-TAP	Same as main electrode or 150W/10A (take the smaller value)	
Operating temperature		-20°C ~ 50°C	
Dimension		148 x 108 x 28mm	
Net weight		238g	