

SWIT®

S-3602U

DV Charger/ Adaptor

Ver: A

USER MANUAL

SWIT Electronics Co.,LTD.

Tel:+86-25-85805753
Fax:+86-25-85805296
http://www.swit.cc
E-mail: contact@swit.cc

Congratulations on your purchase of this product. Please read this user manual carefully.

Warning

Keep in mind the following considerations to prevent from fire or shock hazard!

- ◆ Do not attempt to open the charger, please contact local agent if have problems.
- ◆ Do not expose the charger to rain or moisture.
- ◆ Never use metal or other conductors to touch the inside of the charger.

Feature

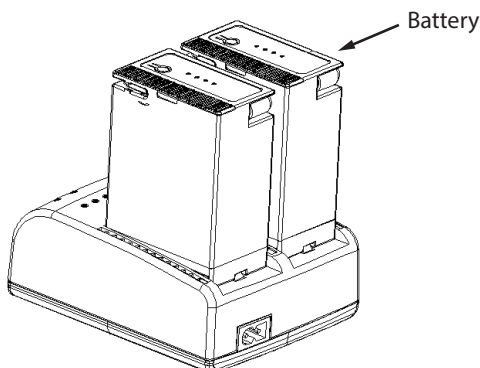
1. 2-channel independent power supply and control system which can charge two batteries simultaneously.
2. Support 1-channel adapting output with automatic identification; when adapting output, the 2-channel charging will be automatically stopped.

Caution

1. Only work in temperature between 0°C-40°C
2. Keep the terminals clean and ensure the reliable connection.
3. Do not cover the cooling vent.
4. Keep the charger in a cold dry place.

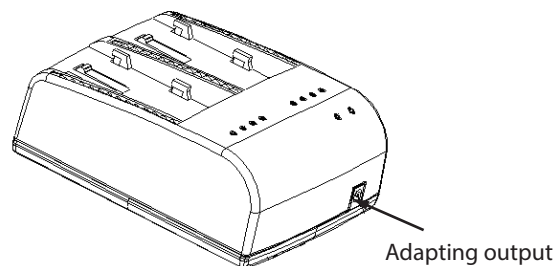
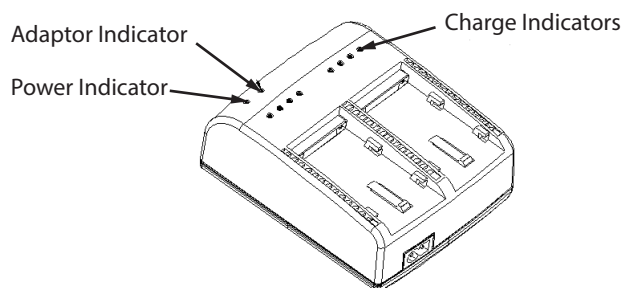
Charging

1. Connecting the charger with power lead reliably, the power indicator will light on.
2. Mount one or two compatible batteries onto the charging slot softly, the charger will intelligently charge (can charge two channels sequentially to 75% capacity, and then charge simultaneously to full). When charging, the LED charging indicator will start to flash and indicates the current capacity of each battery. (25%, 50%, 75% and 100%), When the battery is fully charged, all the 4 LEDs will light on, please remove the battery to use.



Adapting output

1. S-3602U has a DC socket output, can drive power-consumption equipments. Please make sure the voltage range and power consumption of the equipments are fit for the charger adapting output.
2. When adapting output, the 2-channel charging will be automatically stopped, the adapting indicator light on.



Specification

Model	S-3602U
Power input	100~240VAC, 50/60Hz
Output	Charging DC 16.8V, 1.9A
	Adapting DC 12V, 1.9A
Power consumption	60W
Compatible battery	SWIT S-8U62, S-8U63, S-8U93
	SONY BP-U30/U60/U90
Dimension	136×110×53mm
Net weight	360g