

# SWIT®

## PC-P461S/A/B

### Portable 4-ch Battery Fast Charger

Ver:B

# USER MANUAL

## SWIT Electronics Co.,Ltd.

Tel: +86-25-85805753  
Fax: +86-25-85805296  
http://www.swit.cc  
E-mail: contact@swit.cc

Thank you for choosing SWIT products. Please read the instructions before using, and keep it for future reference.

### Warning

#### Keep in mind the following precautions to avoid fire or electric shock!

- Never expose the battery charger to rain or moisture.
- Never attempt to open the battery charger, please contact the local agent if have problems.
- Never use metal or other conductors to touch the inside of the battery charger.
- Never short-circuit the battery charger terminals.
- Please make sure the voltage range is fit for the battery charger.

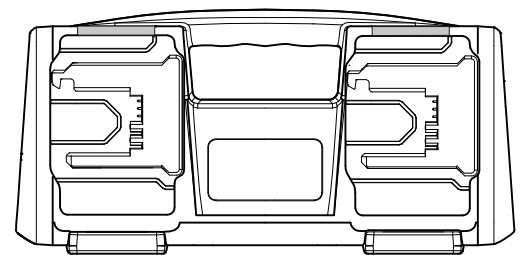
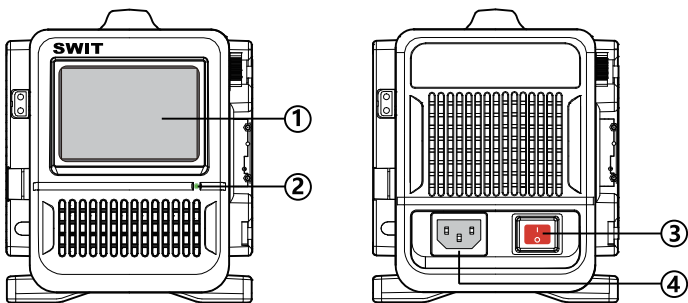
### Caution

- Only limited to charge specified battery(ies), it may cause danger if charge other battery(ies) due to incompatibility problem.
- Keep the terminals clean and ensure the reliable connection.
- It is a normal phenomenon that the battery charger may become warm in use.
- Do not cover the cooling vent.
- Please do not put the battery charger on unstable place, it may fall and cause serious damage.
- Do not use other brand AC power cable to avoid damage.

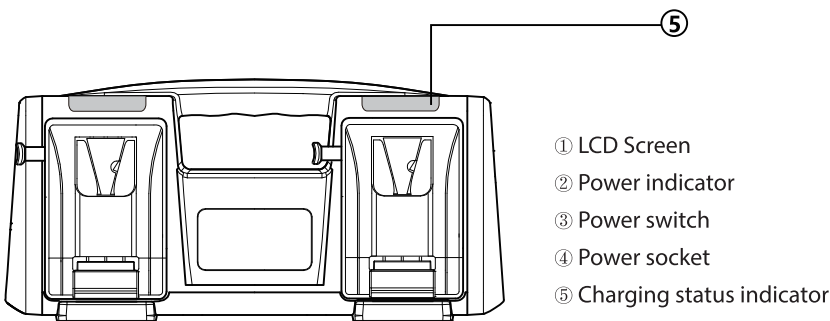
### Features

- Intelligent identification of fast charging battery, support 4-ch 6A fast charge simultaneously.
- PC-P461S automatically identifies SWIT 14.4V and 28.8V batteries to switch charging voltages.
- Real-time monitoring of the current state, intelligent regulation of charging current.
- 3.5 inch full-view highlight screen for real-time monitoring of battery and charging information in various light environments.
- 4-ch super big independent LED, Clear indication of battery charging status.
- Full range of temperature, voltage, current protection functions.

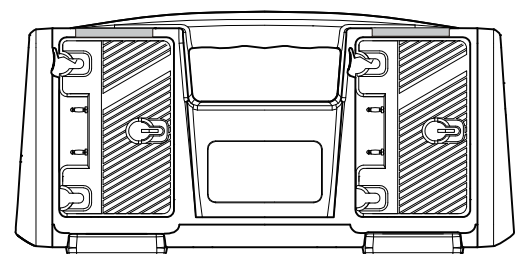
### Appearance



B-Mount Charger



V-Mount Charger



Gold-Mount Charger

- ① LCD Screen
- ② Power indicator
- ③ Power switch
- ④ Power socket
- ⑤ Charging status indicator

## Charging and Display Function

### ■ Charging status indicator :

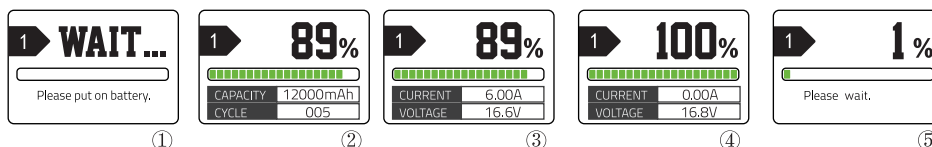
- 0%~80% Red light always on
- 81%~99% Green light flash
- 100% Green light always on
- Error: Red light flash

### ■ LCD Screen :

#### 1. Standby



#### 2. Charging



- ① After mounting the battery, the charger prepares to charge.
- ② Show the capacity and cycle times for 5s, then enter in charging interface ③.
- ③ Show the percentage of battery capacity, battery voltage and the charging current.
- ④ Charging complete.
- ⑤ Battery abnormal situation handling interface, waiting for about 30s to exit this interface.

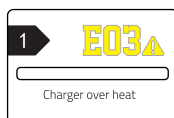
#### 3. Relationship between charging current and battery temperature of fast charging battery:



Battery temperature	Charging current
<45°C	6A
≥45°C	3A, Battery regain 6A fast charge after battery temperature is under 40°C

- ① When the battery get over-heat protection, charger can recognize the temperature of battery, battery will be recharged after the temperature is under 45°C.

#### 4. Error



#### Code of Error:

E01	Battery initialization failed	Please check the battery status and try to replug.
E02	Communication failed	Please replug the battery.
E03	Charger over-heat protection	Please check if the fan is working normally, If so, move the charger to a cold place.
E04	Charger fault	Please replug the battery or wait until the battery returns to normal temperature and replug.
E05	Self-check fault	Please restart the charger.

## Specifications

Model	PC-P461S	PC-P461A	PC-P461B
Mounting model	V-Mount	Gold-Mount	B-Mount
Input voltage	100 ~ 240VA, 50/60Hz		
Input power	450W(Max)		
Output voltage/current	16.8V, 3A /6A×4ch; 33.6V, 3A×4ch	16.8V, 3A /6A×4ch	33.6V, 3A×4ch
Operating temperature	0°C~40°C		
Operating humidity	10%RH~90%RH		
Dimension	330×153×162mm	330×135.6×162mm	330×140×162mm
Net weight	About 2.43kg		