

# SWIT®

## PL-E60/PL-E90

### edge mounted SMD panel LED light

Ver: F

# USER MANUAL

## SWIT Electronics Co.,Ltd.

Tel:+86-25-85805753  
Fax:+86-25-85805296  
http://www.swit.cc  
E-mail: contact@swit.cc

Congratulations on your purchase of this product. Please read this user manual carefully.

## Introduction

This product is designed and apply to use in film, TV, photography and studio lighting, also can be used in theater, concert or other entertainment stage lighting.

## Specification

Model	PL-E60	PL-E90
Color temperature	2700K-6500K	
Brightness	0%-100%	
luminance	1500 Lux@1m	2200 Lux@1m
Half beam angle	Appr.70°( without honey comb) Appr.40° (with honey comb)	
Beam angle	110°	
CRI	96	97
TLCI	99	
Working voltage	DC 11-36V	
Power consumption	Appr.60W	Appr.105W
Energy Efficiency Index	<G> Test under this parameter: Dimmer=100%, CCT=6500K	
Dimension	Details find fig 1, 2, 3	
Lighting area	258mmx258mm	526mm x 258mm
Net weight	3.1Kg	4.75Kg

## Caution

1. Please do not disassemble the light or touch its inner part with metal;
2. Please do not put the light under conditions full of dust or moisture to avoid damage;
3. Only use the light in the temperature range of -10°C~40°C.

## Clean

1. Please clean the front LED panel with soft dry cloth. If using soft cloth with slight clean neutral detergent solution, please wipe again with a soft dry cloth.
2. Do not use wet cloth, anhydrous alcohol, gasoline, or a mixture of anhydrous alcohol and ether etc. to wipe the front LED panel.

## Dimension

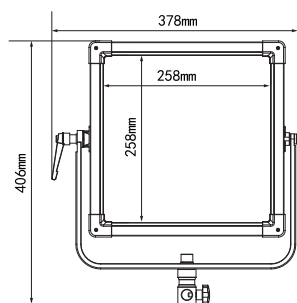


Fig. 1 PL-E60

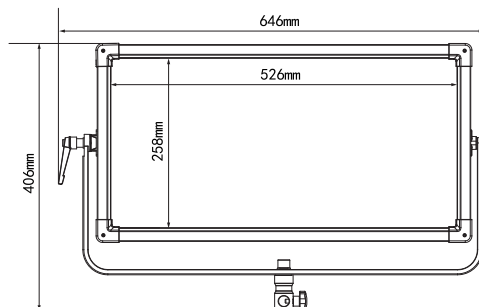


Fig. 2 PL-E90

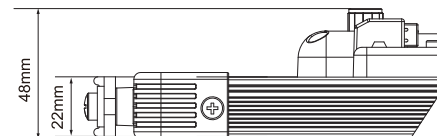


Fig. 3 PL-E60/PL-E90

## Appearance

Front view:

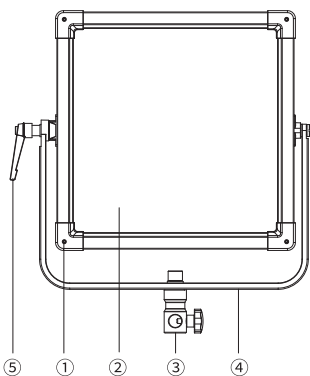


Fig. 4 PL-E60

- ① Barn door mounting point
- ② Diffuser
- ③ U-shape bracket connector
- ④ U-shape bracket
- ⑤ U-shape bracket knob

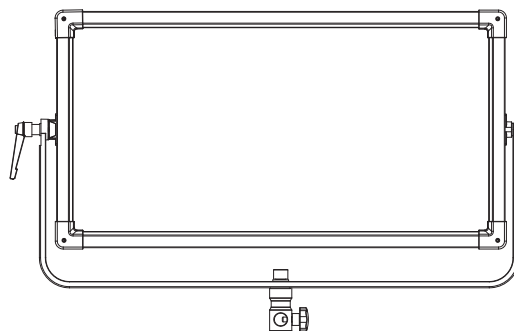


Fig. 5 PL-E90

Rear view:

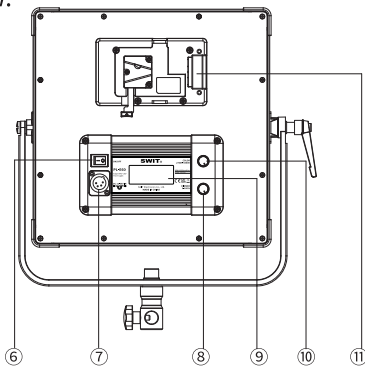


Fig. 6 PL-E60

- ⑥ Power switch
- ⑦ Power socket
- ⑧ Dimmer knob
- ⑨ LCD display
- ⑩ CT dimming knob
- ⑪ Battery plate

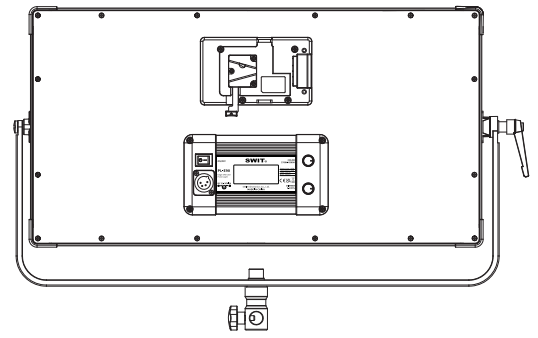


Fig. 7 PL-E90

## Optional Accessory Installation

Fig.8~11 is the installation instruction for PL-E60; the installation of PL-E90 is the same as PL-E60.

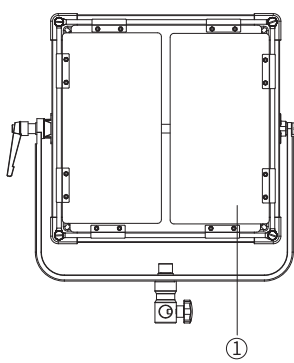


Fig. 8 Barn door installation

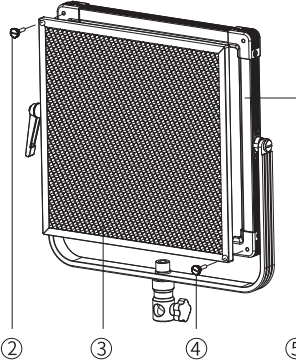


Fig. 9 Big Honeycomb installation

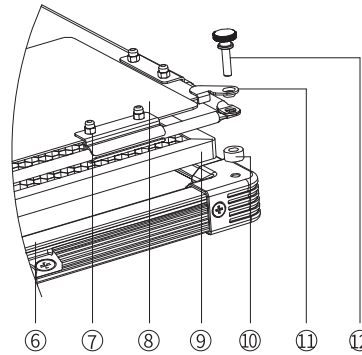


Fig. 10 Barn door installation

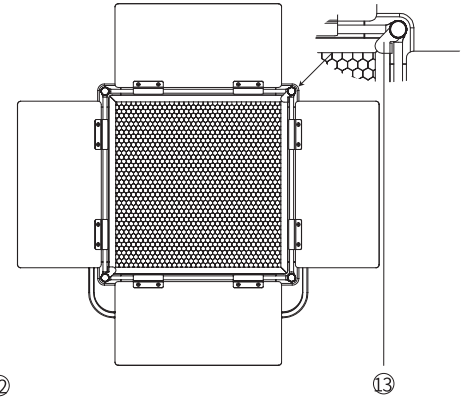


Fig. 11 Small Honeycomb installation

- ① ⑧ Barn door
- ② ④ ⑫ Knurled thumb screws with collar
- ③ Big Honeycomb
- ⑤ ⑥ Light body
- ⑦ Low head screws
- ⑨ Small Honeycomb
- ⑩ Shim
- ⑪ ⑬ Pressure plate

● The way to install the barn door is shown as Fig.8 and Fig.10.  
Note: Put the low head screws upward during the installation.

● Please confirm the types of honeycomb before using it. (The types of honeycomb size are shown as below).

Honeycomb type	PL-E60	PL-E90
Big honeycomb (L x W x H)	290mm x 290mm x 10mm	558mm x 290mm x 10mm
Small honeycomb(L x W x H)	268mm x 268mm x 10mm	536mm x 268mm x 10mm

### 1) Purchase of big honeycomb

The way to install the honeycomb is shown as Fig.9.

### 2) Purchase of small honeycomb

The small honeycomb can be used with the barn door simultaneously. Fix the honeycomb by rotating the pressure plate(see Fig.11 ⑬) after the installation as shown in Fig.10, and then use the light normally.

## LCD display

**For example:** PL-E60, color temperature 5600K, dimmer 100%, powered by fully charged battery ,it will display as below:

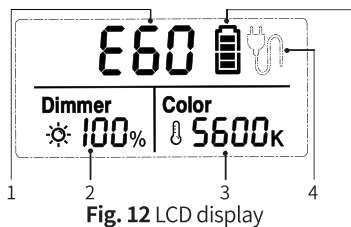


Fig. 12 LCD display

- ① Light model
- ② Dimmer display
- ③ Color temperature display
- ④ Power supply display (by AC-DC adaptor)
- ⑤ Power supply display (by Li-ion battery)

**Note:** When powered by battery, it will display battery power percentage:

Four LEDs	About 80%-100%
Three LEDs	About 60%-80%
Two LEDs	About 40%-60%
One LED	About 20%-40%
No display (outline boarder flicker)	Under 20%, lack of power

## Usage

### 1. Installation

#### 1.1 Accessory installation

See **[Optional Accessory Installation]** for honeycomb and barn door installation

#### 1.2 User can install the light on a tripod or stand, and adjust demanded beam angle by knob on both sides of the U-stand.

### 2. Power supply

The light provides two ways of power supply, by V-mount or Gold mount battery or by 4-pin XLR AC-DC power. Turn on the light and set the color temperature and brightness to user's requirements.

Tips: The connection and disconnection of power adaptor XLR.

#### (1) Connection

Align the hump of output male XLR to the gap of the DC socket, connect XLR and DC socket, the adaptor will connect with the light when you hear the crack sound.

#### (2) Disconnection

Hold the hump of the DC output female XLR and pull out, the power adaptor and the light will be disconnected.

### 3. Dimmer and color temperature setting

The light provides two ways of adjusting the color temperature and brightness: normal adjusting mode and quick adjusting mode. User can switch the adjusting mode by press the dimmer knob and color temperature adjusting knob. User can quickly set the dimmer and color temperature to their needs by combining two adjusting modes.

#### 3.1 Normal adjusting mode

##### (1) Color temperature adjust

Range: 2700K-6500K, adjust value: 50K

##### (2) Dimmer adjust

Range: 0%-100%, adjust value: 1%

#### 3.2 Quick adjusting mode

##### (1) Color temperature adjust

Under this mode, user can quickly choose common color temperature: 2700K, 3200K, 4500K, 5600K, and 6500K

##### (2) Dimmer adjust

Range: 0%-100%, adjust value: 10%

## Packing List

	Packing list	Package 1	Package 2	Package 3	Package 4
1	PL-E60/PL-E90	x 1	x 1	x 3	x 3
2	Barn door	/	x 1	/	x 3
3	Power cable	x 1	x 1	x 3	x 3
4	Power adaptor	x 1	x 1	x 3	x 3
5	V-mount hook&loop	x 1	x 1	x 3	x 3
6	Tripod	/	/	x 3	x 3
7	Carrying case	x 1	x 1	/	/
8	Trolley case	/	/	x 1	x 1
9	Honeycomb(Optional)	Customers can purchase separately according to the requirements.			
10	Barn door (Optional)				
11	Set of Barn door and Honeycomb(Optional)				

Note:

1. Package 1: Single light package

2. Package 2: Single light package (with barn door)

3. Package 3: KIT1 (with trolley case)

4. Package 4: KIT2 (with trolley case, barn door)

5. The adaptor and LED PCB board can be changed, the parameters of recommend adaptor are below:

No.	Specification	Parameter
1	DC output socket	4Pin XLR
2	Adapter output power polarity	Pin 1"-", Pin 4"+"
3	Working voltage	AC 100-240V, 50/60Hz
4	Output voltage	DC 11-36V
5	Voltage accuracy	±5%
6	Rated Power (Max.)	≥90W(PL-E60) ≥105W(PL-E90)
7	Power factor	≥0.9
8	Working temperature	-10°C-40°C