

# SWIT®

## Rechargeable Li-ion Battery

LB-SU90C

Ver:A

# USER MANUAL

SWIT Electronics Co.,Ltd.

Tel:+86-25-85805753  
Fax:+86-25-85805296  
http://www.swit.cc  
E-mail: contact@swit.cc

Thank you for choosing SWIT products, please read this user manual before using and keep it properly for future reference.

### Warning

#### Remember the following precautions to avoid fire and other safety hazards!

- ◆ Do not use the battery in a place where there is fire or heat to prevent overheating and rupture.
- ◆ Do not Pierce the battery case or attempt to open the case or disassemble the battery.
- ◆ Please use and store the battery within the specified temperature range.
- ◆ Do not charge the battery in the car or in direct sunlight.
- ◆ Do not attempt to use the damaged battery.
- ◆ Do not squeeze the shell to cause physical impact.
- ◆ Please use SWIT charger or SWIT recommended charger to prevent overheating, rupture and other dangers.
- ◆ Keep out of reach of children.

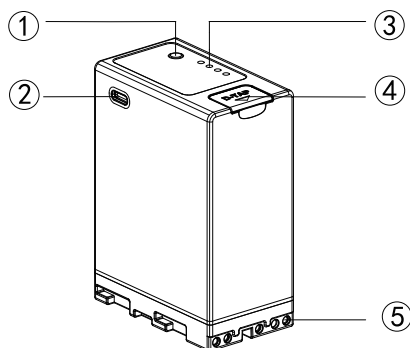
### Attention

- ◆ It is normal for batteries to get hot during charging and use.
- ◆ Keep the pole of the battery clean to ensure a better use experience
- ◆ Keep the battery in a cool and dry place for long-term storage. It is recommended to keep the battery level above 50%.
- ◆ After ten days, the battery will enter sleep mode automatically and the output will be turned off. Press the indicator light button to restore the output.

### Product feature

- ◆ One both-way Type-c interface,can supply power to mobile device or be charged with Type-c charger.
- ◆ One both-way D-TAP interface,can supply power to other device or be charged with this interface.
- ◆ Four level LED show the percentage of the battery capacity.
- ◆ Built-in multiple protection circuit, with temperature, voltage, current all-round protection.

### Appearance



- ① Indicator button
- ② TYPE-C input/output
- ③ 4 level indicator light
- ④ D-TAP input/output
- ⑤ Electric pole

### Charging Instruction

- ◆ Supports using the universal TYPE-C charger, SWIT LC-D421U , SWIT S-3602U、 PC-U130B and PC-U130B2 to charge.
- ◆ During the charging process, the LED light shows the percentage of remaining battery (25%,50%,75%,100%).
- ◆ Batteries can be charged in the temperature range of 0 ~ 40 ° C, but we recommend charging in the temperature range of 10 ~ 30 ° C to ensure better battery performance.

## Discharging Instruction

- ◆ Please put on the rubber cover immediately after use to avoid dust.
- ◆ The battery can discharge in -20°C ~ 50°C;The battery performs best when used in the temperature range of -10 ~ 40°C.

## Specification

Model		LB-SU90C	
Capacity		90Wh, 6.2Ah	
Nominal voltage		14.4V	
Interface parameter	Pole	Output	70W, 6A
		Input	16.8V $\pm$ 3A
		Compatibility	SONY PXW-Z280, PXW-FS7, PXW-X280 etc.
	TYPE-C	Output	45W(Max), 5V/9V/12V/15V/20V(Max) $\pm$ 2.25A <b>Support protocol:</b> 1.BC1.2,IOS and SAMSUNG 2.QC2.0,3.0 3.FCP,SCP 4.PD2.0,3.0
		Input	5V/9V/12V/15V/20V(Max) $\pm$ 2.25A
	D-TAP	Input	16.8V $\pm$ 3A
		Output	70W,6A
	Total output power		70W,6A
Dimension		69.6×41.5×96.5mm	
Dimension(With carton)		77.0×45.0×104.0mm	
Net weight		462g	
Net weight(With carton)		479g	
Charging temperature		0°C~40°C (Suggest 10°C~30°C)	
Discharging temperature		-20°C~50°C (Suggest -10°C~40°C)	
Storage temperature		-20°C~50°C	