

SWIT®

KA-S30S/R30S/R31S/S30B
HOT SWAP PLATE

Ver: B

USER MANUAL

SWIT Electronics Co.,LTD.

Tel:+86-25-85805753
Fax:+86-25-85805296
<http://www.swit.cc>
E-mail: contact@swit.cc

Congratulations on your purchase of this product. Please read this user manual carefully.

Warning

Keep the following precautions in mind to avoid fire and other safety risk!

- ◆ Do not use the plate around fire and high-temperature environment to avoid over-heat and burst.
- ◆ Do not disassemble the plate or change the inner cells by yourself.
- ◆ Do not use the plate over the specified temperature range.
- ◆ Do not use the plate which was already broken.
- ◆ Do not damage the plate physically.
- ◆ Please confirm the power of device is compatible with the using plate.
- ◆ Keep the plate out of the reach of kids.

Caution

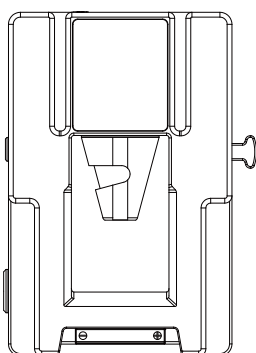
- ◆ It is normal that the plate will get hot when using.
- ◆ Do not use the plate in a high temperature environment over 50°C
- ◆ Keep the pole of the plate clean to avoid short circuit.
- ◆ Please store the plate in cool and dry environment , also make sure the capacity is over 60s.
- ◆ Follow the specification of the plate when using.

Feature

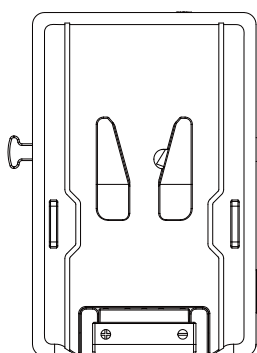
- ◆ The internal cells of the plate can provide 120s for hot swap batteries;
- ◆ The power of the internal cells is 200W,suitable for different using device;
- ◆ Support V-mount batteries, 4-pin XLR, B-MOUNT or 8-pin DC input, compatible with different device;
- ◆ Various output interface: D-TAP, 2-pin DC, V-MOUT, 8-pin DC;
- ◆ Different installation way: support ARRI special suite, dual pipe clamp, V-mount plate etc.;
- ◆ The 3 digital tubes display the power supply time of the battery inside the plate in real time;
- ◆ The output interface of KA-S30S is compatible with SONY & RED digital communication;
- ◆ KA-R31S support 1*3GSDI input and 2*3GSDI output.

Appearance

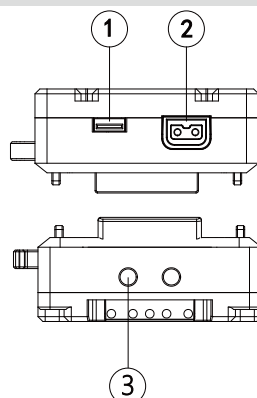
KA-S30S:



V-Mount output



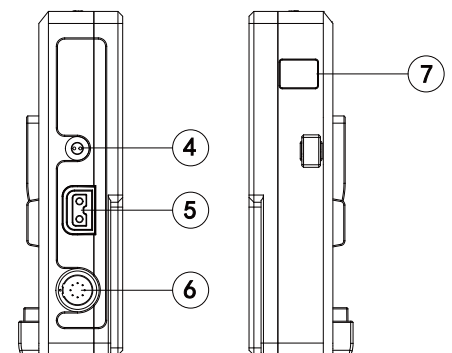
V-Mount input



① USB-A output

② ⑤ D-TAP output

③ 1/4-20 (dual pipe clamp install hole)

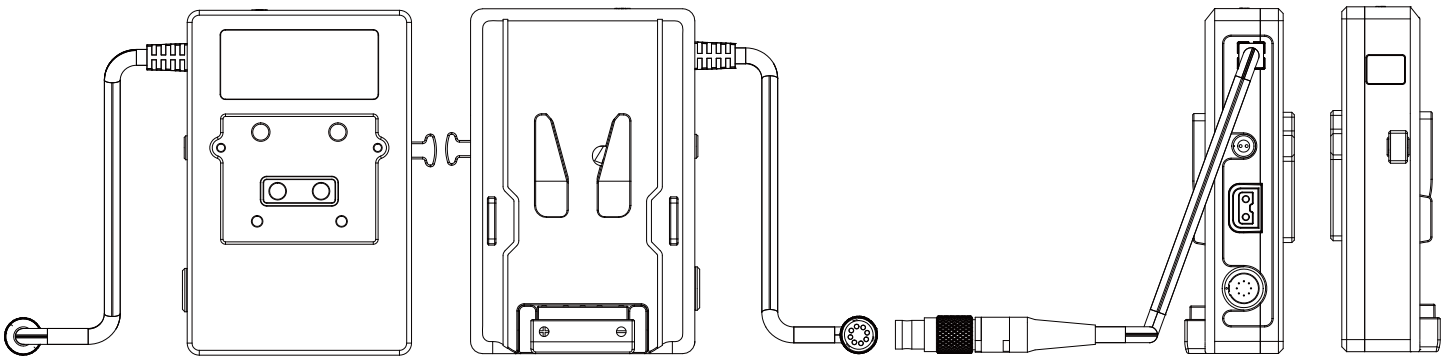


④ 2 pin DC (female) output

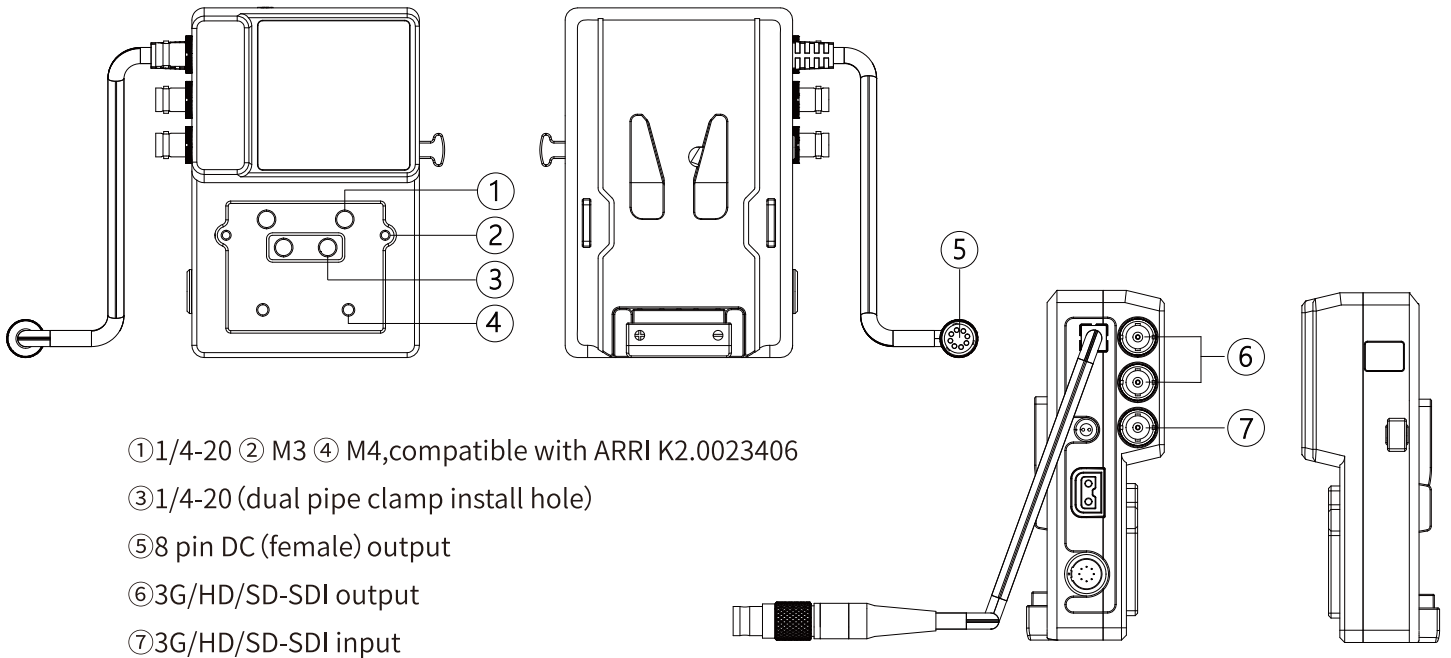
⑥ 8 pin DC (male) input

⑦ Display

KA-R30S:

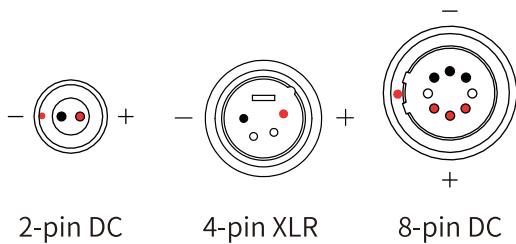
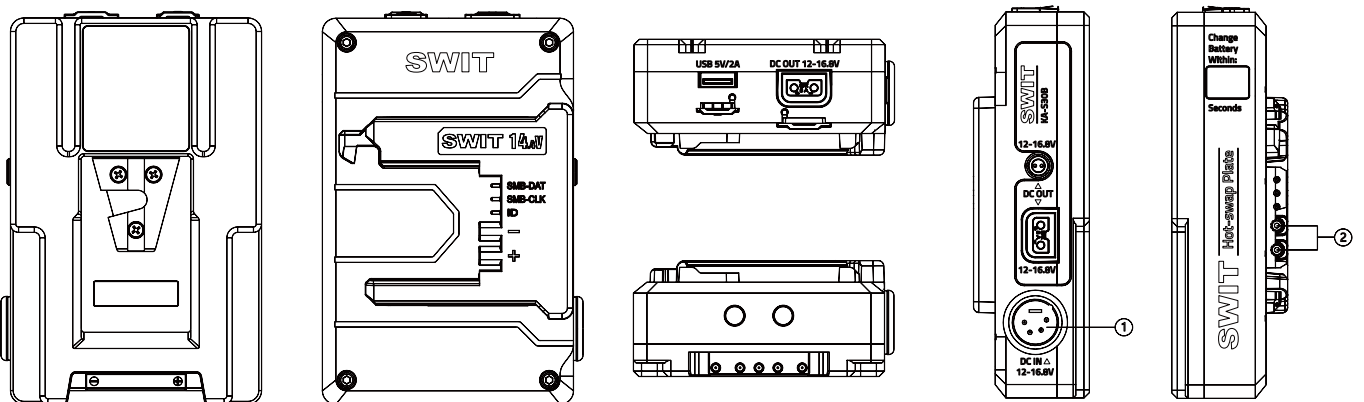


KA-R31S:



- ① 1/4-20 ② M3 ④ M4, compatible with ARRI K2.0023406
- ③ 1/4-20 (dual pipe clamp install hole)
- ⑤ 8 pin DC (female) output
- ⑥ 3G/HD/SD-SDI output
- ⑦ 3G/HD/SD-SDI input

KA-S30B:



- ① 4-pin XLR (male) input
- ② B-MOUNT plate

Internal cells charging

- 1.Charging condition :The voltage of external power supply device(battery or adapter) should be higher than the voltage of internal cells.
- 2.Recommendation :Frequently using the plate may make the power supply time unable to reach 120s. If the power supply is needed for a long time of 120s, the plate can be charged with a fully charged battery under the condition of no load.

Hot swap function & Display status:

1. The plate will supply the power when taking down the using device(batteries or adapter) or the input voltage is lower than 10.8V.
2. When the external power supply device is mounted again, it will automatically switch to the external power supply; At this point, the plate reevaluates the power supply time according to the remaining capacity of its own battery.

Display sataus	Power supply device
Remaining time	Powered by external power supply device 0s~ 120s.
Countdown	Powered by internal cells ,shut down after getting 0s.
Shut down	No power output.

Specification

Model	KA-S30S	KA-R30S	KA-R31S	KA-S30B	
Input interface	V-mount, 8-pin DC (male)			B-MOUNT, 4-pin XLR (male) input	
Output interface	Main output	V-mount	8-pin DC (female)	8-pin DC (female)	V-MOUNT
	Other output	D-TAP x 2	D-TAP x 2	D-TAP x 2	D-TAP x 2
		2-pin DC (female) x 1	2-pin DC (female) x 1	2-pin DC (female) x 1	2-pin DC (female) x 1
	USB-A x 1	USB-A x 1	USB-A x 1	USB-A x 1	
SDI Interface	/	/	Input: 3G/HD/SD-SDI x 1 Output: 3G/HD/SD-SDI x 2	/	
Capacity	43Wh/3Ah				
Input Voltage	12V~16.8V				
Output Voltage and power	Main output	200W/16A,12~16.8V			
	D-TAP x 2	One D-tap maximum 125W/10A, Two D-taps maximum 200W/16A, 12~16.8V			
	2-pin DC (female)	38W/3A, 12~16.8V			
	USB	10W,5V/2A			
	Total	200W/16A			
Working temperature	-20°C~50°C, Tip: The loading capacity will decrease when using under 0°C.				
Dimensions	93 x 143 x 42mm	93 x 143 x 40mm	93 x 143 x 53mm	93*143*43 mm	
Net weight	0.691kg	0.757kg	0.875kg	0.649kg	